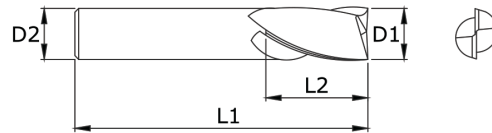




Solid Carbide End Mills

Economy Range

2 Flute F121 XL



- P0-P6
- K1-K3
- S1-S4
- H1-H4
- N1-N6
- M1-M3

Unit : mm				
Diameter	EDP No	Flute Length	Overall Length	Shank Diameter
Ø D1		L2	L1	Ø D2
1	FBK0500705	3	38	3
1.5	FBK0500706	6	38	3
2	FBK0500707	9	38	3
2.5	FBK0500708	12	38	3
3	FBK0500709	12	38	3
4	FBK0500710	14	50	4
5	FBK0500711	20	50	5
6	FBK0500712	20	63	6
8	FBK0500713	20	63	8
10	FBK0500714	25	70	10
12	FBK0500715	25	75	12
16	FBK0500716	30	89	16
20	FBK0500717	38	102	16

Tensile strength: N/mm² | Hardness: HRC

P0	P1	P2	P3	P4	P5	P6	M1	M2	M3	K1	K2	K3
<530	<530	<530	600-850	850-1400	600-900	900-1350	<600	600-800	<800	125-500	<600	>600
-	-	<25	<35	35-48	<35	35-48	-	<25	<30	<32	<28	<43

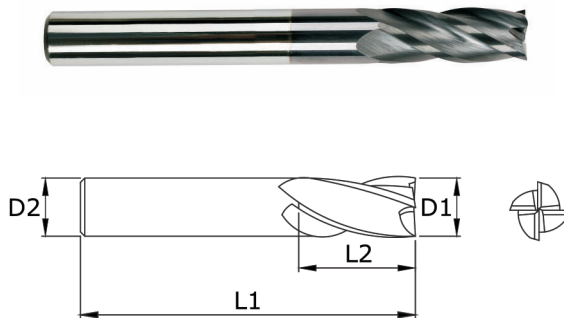
N1	N2	N3	N4	N5	N6	N7	S1-Fe Based	S2-Co Based	S3-Ni Based	S4-Ti Based	H1	H2	H3	H4
Wrought Al	Si<12.2%	Si>12.2%	Cu, Zn Alloy	Ny, Pt, Ru, Re, Fg	C, Gr, CFRP, Comp	NMC	500-1200	1000-1500	600-1700	900-1600	-	-	-	-
-	-	-	-	-	-	-	25-48	25-48	<48	33-48	44-48	48-55	56-60	61-70



Solid Carbide End Mills

Economy Range

4 Flute F111 XL



P0-P6

K1-K3

S1-S4

H1-H4

N1-N6

M1-M3

					Unit : mm
Diameter	EDP No	Flute Length	Overall Length	Shank Diameter	
Ø D1		L2	L1	Ø D2	
1	FBK0500718	3	38	3	
1.5	FBK0500719	6	38	3	
2	FBK0500720	9	38	3	
2.5	FBK0500721	12	38	3	
3	FBK0500722	12	38	3	
4	FBK0500723	14	50	4	
5	FBK0500724	20	50	5	
6	FBK0500725	20	63	6	
8	FBK0500726	20	63	8	
10	FBK0500727	25	70	10	
12	FBK0500728	25	75	12	
16	FBK0500729	30	89	16	
20	FBK0500730	38	102	20	

Tensile strength: N/mm² | Hardness: HRC

P0	P1	P2	P3	P4	P5	P6	M1	M2	M3	K1	K2	K3
<530	<530	<530	600-850	850-1400	600-900	900-1350	<600	600-800	<800	125-500	<600	>600
-	-	<25	<35	35-48	<35	35-48	-	<25	<30	<32	<28	<43

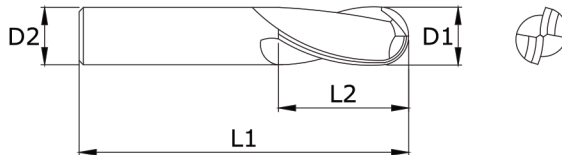
N1	N2	N3	N4	N5	N6	N7	S1-Fe Based	S2-Co Based	S3-Ni Based	S4-Ti Based	H1	H2	H3	H4
Wrought Al	Si<12.2%	Si>12.2%	Cu, Zn Alloy	Ny, Pt, Ru, Re, Fg	C, Gr, CFRP, Comp	NMC	500-1200	1000-1500	600-1700	900-1600	-	-	-	-
-	-	-	-	-	-	-	25-48	25-48	<48	33-48	44-48	48-55	56-60	61-70



Solid Carbide End Mills

Economy Range

2 Flute F150 XL



- P0-P6**
- K1-K3**
- S1-S4**
- H1-H4**
- N1-N6**
- M1-M3**

Unit : mm

Diameter Ø D1	EDP No	Flute Length	Overall Length	Shank Diameter
		L2	L1	Ø D2
1	FBK0500731	3	38	3
1.5	FBK0500732	6	38	3
2	FBK0500733	9	38	3
2.5	FBK0500734	12	38	3
3	FBK0500735	12	38	3
4	FBK0500736	14	50	4
5	FBK0500737	20	50	5
6	FBK0500738	20	63	6
8	FBK0500739	20	63	8
10	FBK0500740	25	70	10
12	FBK0500741	25	75	12
16	FBK0500742	30	89	16
20	FBK0500743	38	102	20

Tensile strength: N/mm² | Hardness: HRC

P0	P1	P2	P3	P4	P5	P6	M1	M2	M3	K1	K2	K3
<530	<530	<530	600-850	850-1400	600-900	900-1350	<600	600-800	<800	125-500	<600	>600
-	-	<25	<35	35-48	<35	35-48	-	<25	<30	<32	<28	<43

N1	N2	N3	N4	N5	N6	N7	S1-Fe Based	S2-Co Based	S3-Ni Based	S4-Ti Based	H1	H2	H3	H4
Wrought Al	Si<12.2%	Si>12.2%	Cu, Zn Alloy	Ny, Pl, Ru, Re, Fg	C, Gr, CFRP, Comp	NMC	500-1200	1000-1500	600-1700	900-1600	-	-	-	-
-	-	-	-	-	-	-	25-48	25-48	<48	33-48	44-48	48-55	56-60	61-70

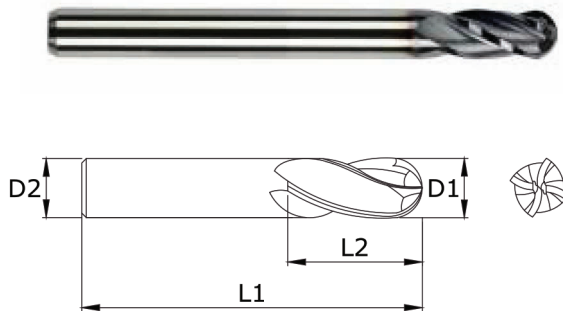


Solid Carbide End Mills

Economy Range

4 Flute

F140 XL



P0-P6

K1-K3

S1-S4

H1-H4

N1-N6

M1-M3

					Unit : mm
Diameter	EDP No	Flute Length	Overall Length	Shank Diameter	
Ø D1		L2	L1	Ø D2	
1	FBK0500744	3	38	3	
1.5	FBK0500745	6	38	3	
2	FBK0500746	9	38	3	
2.5	FBK0500747	12	38	3	
3	FBK0500748	12	38	3	
4	FBK0500749	14	50	4	
5	FBK0500750	20	50	5	
6	FBK0500751	20	63	6	
8	FBK0500752	20	63	8	
10	FBK0500753	25	70	10	
12	FBK0500754	25	75	12	
16	FBK0500755	30	89	16	
20	FBK0500756	38	102	20	

Tensile strength: N/mm² | Hardness: HRC

P0	P1	P2	P3	P4	P5	P6	M1	M2	M3	K1	K2	K3
<530	<530	<530	600-850	850-1400	600-900	900-1350	<600	600-800	<800	125-500	<600	>600
-	-	<25	<35	35-48	<35	35-48	-	<25	<30	<32	<28	<43

N1	N2	N3	N4	N5	N6	N7	S1-Fe Based	S2-Co Based	S3-Ni Based	S4-Ti Based	H1	H2	H3	H4
Wrought Al	Si<12.2%	Si>12.2%	Cu, Zn Alloy	Ny, Pt, Ru, Re, Fg	C, Gr, CFRP, Comp	NMC	500-1200	1000-1500	600-1700	900-1600	-	-	-	-
-	-	-	-	-	-	-	25-48	25-48	<48	33-48	44-48	48-55	56-60	61-70

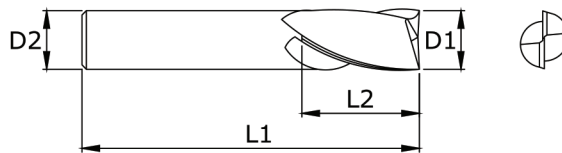


Solid Carbide End Mills

Economy Range

2 Flute

F123XL



- P0-P6
- K1-K3
- S1-S4
- H1-H4
- N1-N6
- M1-M3

Unit : mm				
Diameter	EDP No	Flute Length	Overall Length	Shank Diameter
Ø D1		L2	L1	Ø D2
3	FBK0500757	25	63	3
4	FBK0500758	25	63	4
5	FBK0500759	25	63	5
6	FBK0500760	30	75	6
8	FBK0500761	35	83	8
10	FBK0500762	40	89	10
12	FBK0500763	50	102	12
16	FBK0500764	65	110	16
20	FBK0500765	80	150	20

Tensile strength: N/mm² | Hardness: HRC

P0	P1	P2	P3	P4	P5	P6	M1	M2	M3	K1	K2	K3
<530	<530	<530	600-850	850-1400	600-900	900-1350	<600	600-800	<800	125-500	<600	>600
-	-	<25	<35	35-48	<35	35-48	-	<25	<30	<32	<28	<43

N1	N2	N3	N4	N5	N6	N7	S1-Fe Based	S2-Co Based	S3-Ni Based	S4-Ti Based	H1	H2	H3	H4
Wrought Al	Si<12.2%	Si>12.2%	Cu, Zn Alloy	Ny, Pl, Ru, Re, Fg	C, Gr, CFRP, Comp	NMC	500-1200	1000-1500	600-1700	900-1600	-	-	-	-
-	-	-	-	-	-	-	25-48	25-48	<48	33-48	44-48	48-55	56-60	61-70

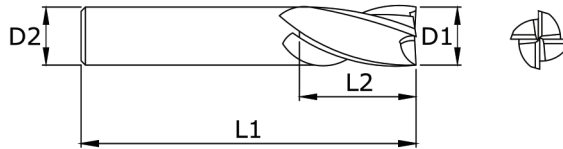


Solid Carbide End Mills

Economy Range

4 Flute

F122 XL



P0-P6

K1-K3

S1-S4

H1-H4

N1-N6

M1-M3

					Unit : mm
Diameter	EDP No	Flute Length	Overall Length	Shank Diameter	
Ø D1		L2	L1	Ø D2	
3	FBK0500766	25	63	3	
4	FBK0500767	25	63	4	
5	FBK0500768	25	63	5	
6	FBK0500769	30	75	6	
8	FBK0500770	35	83	8	
10	FBK0500771	40	89	10	
12	FBK0500772	50	102	12	
16	FBK0500773	65	110	16	
20	FBK0500774	80	150	20	

Tensile strength: N/mm² | Hardness: HRC

P0	P1	P2	P3	P4	P5	P6	M1	M2	M3	K1	K2	K3
<530	<530	<530	600-850	850-1400	600-900	900-1350	<600	600-800	<800	125-500	<600	>600
-	-	<25	<35	35-48	<35	35-48	-	<25	<30	<32	<28	<43

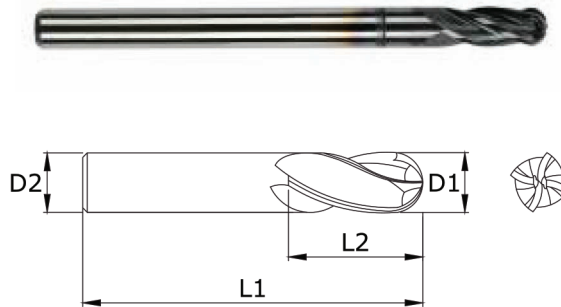
N1	N2	N3	N4	N5	N6	N7	S1-Fe Based	S2-Co Based	S3-Ni Based	S4-Ti Based	H1	H2	H3	H4
Wrought Al	Si<12.2%	Si>12.2%	Cu, Zn Alloy	Ny, Pt, Ru, Re, Fg	C, Gr, CFRP, Comp	NMC	500-1200	1000-1500	600-1700	900-1600	-	-	-	-
-	-	-	-	-	-	-	25-48	25-48	<48	33-48	44-48	48-55	56-60	61-70



Solid Carbide End Mills

Economy Range

4 Flute F125 XL



- P0-P6
- K1-K3
- S1-S4
- H1-H4
- N1-N6
- M1-M3

Unit : mm				
Diameter	EDP No	Flute Length	Overall Length	Shank Diameter
Ø D1		L2	L1	Ø D2
3	FBK0503374	25	63	3
4	FBK0503375	25	63	4
5	FBK0503376	25	63	5
6	FBK0503377	30	75	6
8	FBK0503378	35	83	8
10	FBK0503379	40	89	10
12	FBK0503380	50	102	12
16	FBK0503381	65	110	16
20	FBK0503382	80	150	20

Tensile strength: N/mm² | Hardness: HRC

P0	P1	P2	P3	P4	P5	P6	M1	M2	M3	K1	K2	K3
<530	<530	<530	600-850	850-1400	600-900	900-1350	<600	600-800	<800	125-500	<600	>600
-	-	<25	<35	35-48	<35	35-48	-	<25	<30	<32	<28	<43

N1	N2	N3	N4	N5	N6	N7	S1-Fe Based	S2-Co Based	S3-Ni Based	S4-Ti Based	H1	H2	H3	H4
Wrought Al	Si<12.2%	Si>12.2%	Cu, Zn Alloy	Ny, Pl, Ru, Re, Fg	C, Gr, CFRP, Comp	NMC	500-1200	1000-1500	600-1700	900-1600	-	-	-	-
-	-	-	-	-	-	-	25-48	25-48	<48	33-48	44-48	48-55	56-60	61-70